



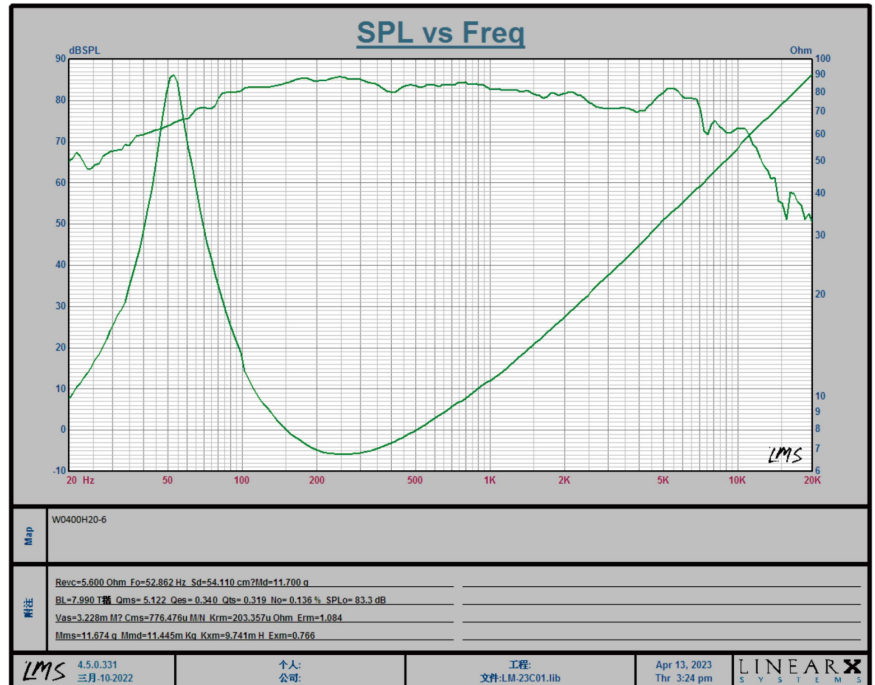
### Specification

Rated Power:25W Peak Power:50W  
 Impedance:6Ω ±15%  
 Resonant frequency / fs:70Hz±20%  
 Voice Coil diameter: 25.5mm  
 Sound Pressure: 83dB/1W /1M ± 3dB at 500 to 3KHz.  
 OD:115±0.3mm Thickness: 57.5±1mm  
 Operation temperature: -20 to +60°C  
 Operation: 8.66V (20Hz~5KHz 2.5Sec)  
 Power Test:IEC268-5/12.24V/48hrs  
 Weight:690g±10%  
 Subject to technical modification

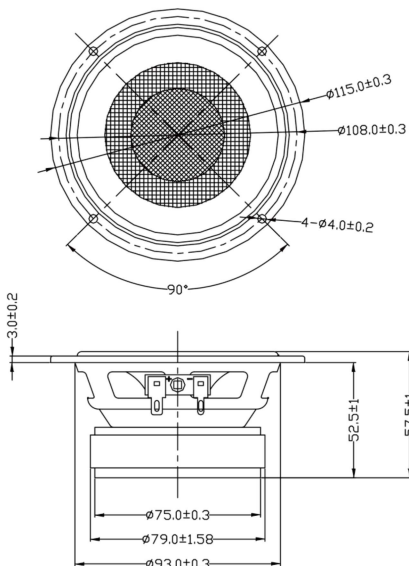
### Material

Magnet	Ferrite
Basket	Ferrite
Cone	Glass Fiber
Dust Cap	Glass Fiber

### Impedance and frequency curve



### Drawing



### Main Parameter

Qts	0.319	Vas	3.228mm
Qms	5.122	Qes	0.34
Mms	11.674g	Cms	0.776mm/N
Xmax		BL	