



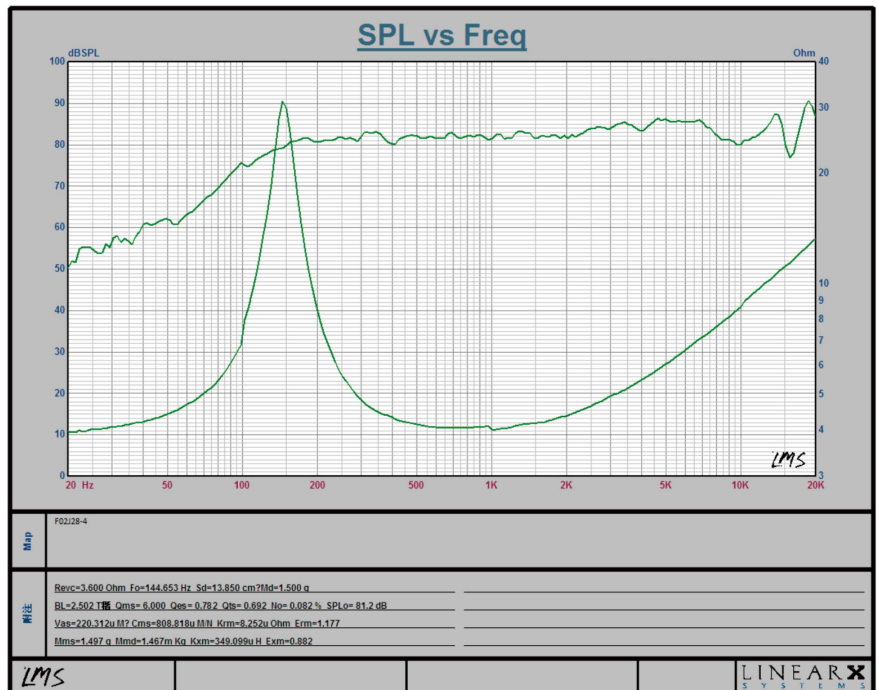
Specification

Rated Power:5W Peak Power:10W
 Impedance:4Ω ±15%
 Resonant frequency / fs:140Hz±20%
 Voice Coil diameter: 16.4mm
 Sound Pressure: 82dB/1W /1M ± 3dB at 500 to 3KHz.
 OD:52±0.5mm Thickness: 30±1mm
 Operation temperature: -20 to +60°C
 Operation: 3.16V (20Hz~20KHz)
 Power Test:IEC268-5/4.47V/48hrs
 Weight:40g±10%
 Subject to technical modification

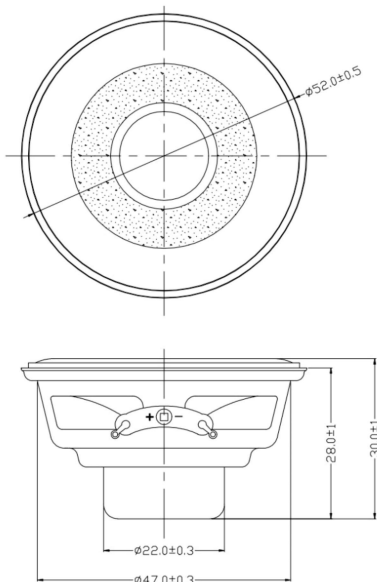
Material

Magnet	NdFeB
Basket	Ferrite
Cone	Paper
Dust Cap	Paper

Impedance and frequency curve



Drawing



Main Parameters

Qts	0.692	Vas	0.22mm
Qms	5.122	Qes	0.782
Mms	1.497g	Cms	0.809mm/N
Xmax	1.7mm	Vas	1.147 liter