



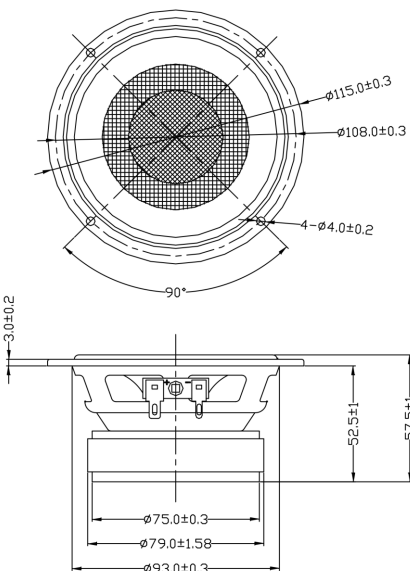
Specification

Rated Power:25W Peak Power:50W
 Impedance:6Ω ±15%
 Resonant frequency / fs:70Hz±20%
 Voice Coil diameter: 25.5mm
 Sound Pressure: 83dB/1W /1M ± 3dB at 500 to 3KHz.
 OD:115±0.3mm Thickness: 57.5±1mm
 Operation temperature: -20 to +60°C
 Operation: 8.66V (20Hz~5KHz 2.5Sec)
 Power Test:IEC268-5/12.24V/48hrs
 Weight:690g±10%
 Subject to technical modification

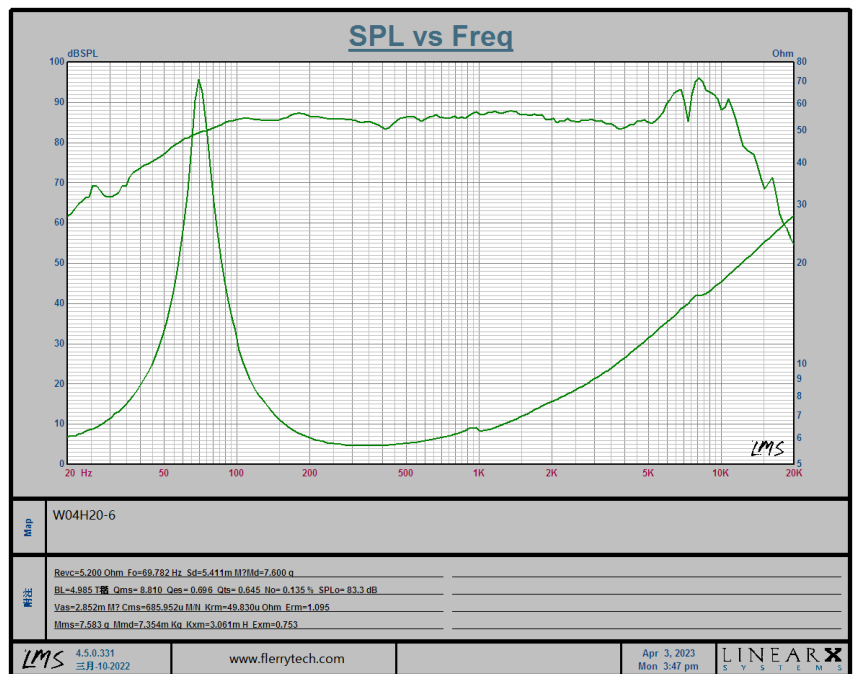
Material

Magnet	Ferrite
Basket	Ferrite
Cone	Glass Fiber
Dust Cap	Glass Fiber

Drawing



Impedance and frequency curve



Main Parameter

Qts	0.645	Vas	2.852mm
Qms	8.81	Qes	0.696
Mms	7.583g	Cms	0.689mm/N
Xmax		BL	