



Specification

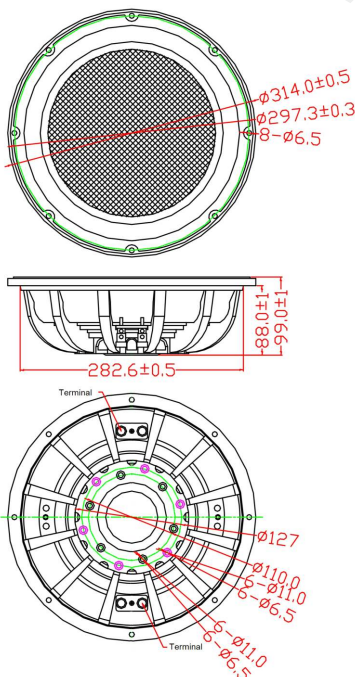
Rated Power:200W Peak Power:400W
 Impedance:dual voice coil, 4Ω+4 Ω (L+R)±15%
 Resonant frequency / fs:30Hz±20%
 Voice Coil diameter: 49.55mm
 Sound Pressure: 87dB/1W /1M ± 3dB at 500 to 3KHz.
 OD:314±0.5mm Thickness: 99±1mm
 Operation temperature: -20 to +60℃
 Operation: 20V (20Hz~1KHz 2.5Sec)
 Power Test:IEC268-5/28.28V/48hrs
 Weight:4510g±10%

Subject to technical modification

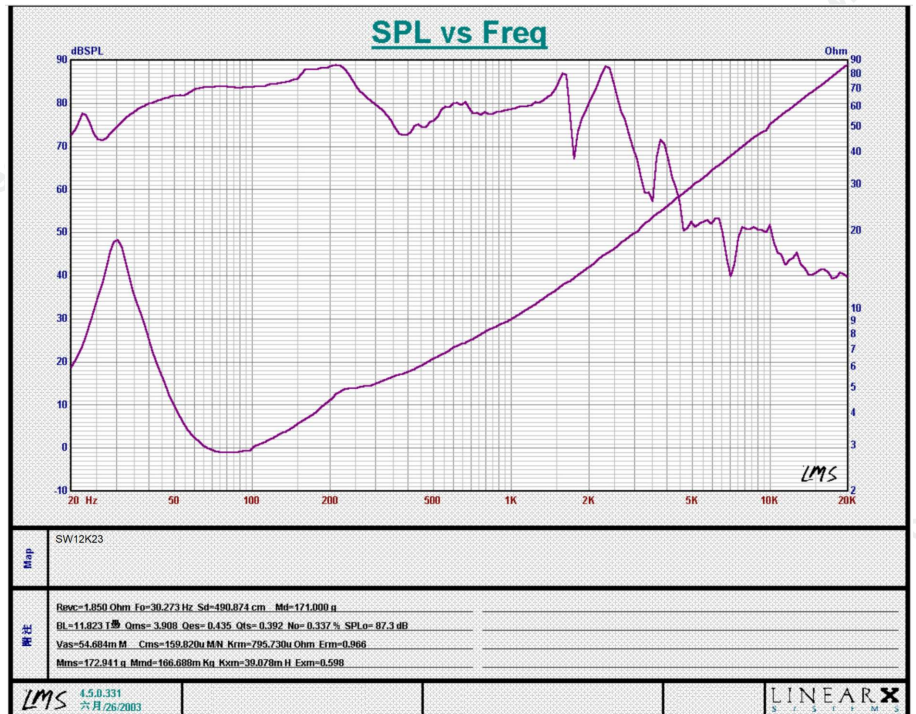
Material

Magnet	Ferrite
Basket	Aluminum
Cone	Glass Fiber
Surround	Rubber

Drawing



Impedance and frequency curve



Main Parameter

Qts	0.392	Vas	54.684mm ³
Qms	3.908	Qes	0.435
Mms	172.941g	Cms	0.159mm/N
Xmax		BL	