

**Specification**

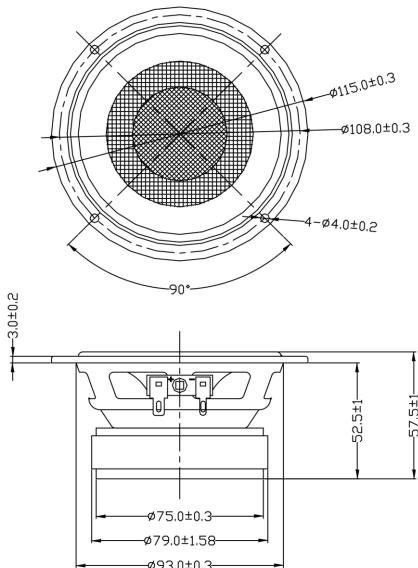
Rated Power:25W Peak Power:50W  
 Impedance:6Ω ±15%  
 Resonant frequency / fs:70Hz±20%  
 Voice Coil diameter: 25.5mm  
 Sound Pressure: 83dB/1W /1M ± 3dB at 500 to 3KHz.  
 OD:115±0.3mm Thickness: 57.5±1mm  
 Operation temperature: -20 to +60℃  
 Operation: 8.66V (20Hz~5KHz 2.5Sec)  
 Power Test:IEC268-5/12.24V/48hrs  
 Weight:690g±10%

Subject to technical modification

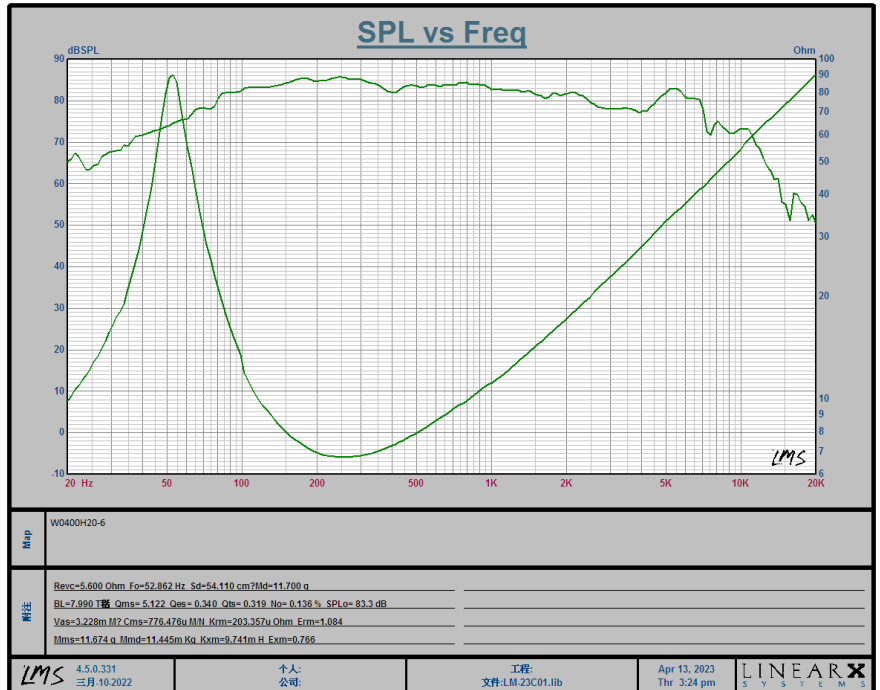
**Material**

<b>Magnet</b>	Ferrite
<b>Basket</b>	Ferrite
<b>Cone</b>	Glass Fiber
<b>Dust Cap</b>	Glass Fiber

**Drawing**



**Impedance and frequency curve**



**Main Parameter**

<b>Qts</b>	0.319	<b>Vas</b>	3.228mm
<b>Qms</b>	5.122	<b>Qes</b>	0.34
<b>Mms</b>	11.674g	<b>Cms</b>	0.776mm/N
<b>Xmax</b>		<b>BL</b>	