



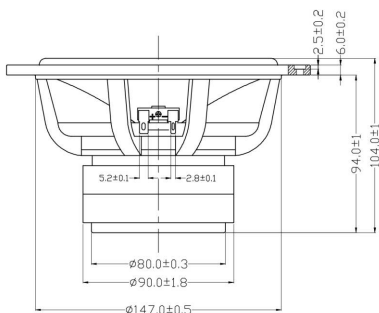
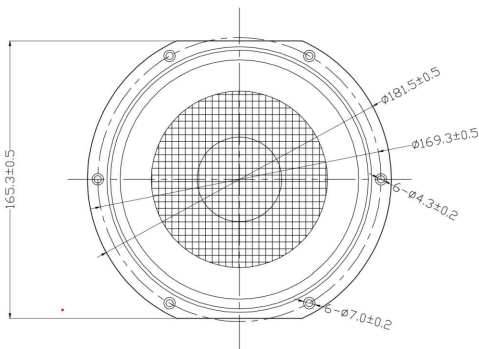
Specification

Rated Power:80W Peak Power:160W
 Impedance:6Ω ±15%
 Resonant frequency / fs:36Hz±20%
 Voice Coil diameter: 32.16mm
 Sound Pressure: 85dB/1W /1M ± 3dB at 500 to 3KHz.
 OD:181.5x165.3±0.5mm Thickness: 104±1mm
 Operation temperature: -20 to +60°C
 Operation: 15.49V (20Hz~5KHz 2.5Sec)
 Power Test:IEC268-5/21.9V/48hrs
 Weight:1750g±10%
 Subject to technical modification

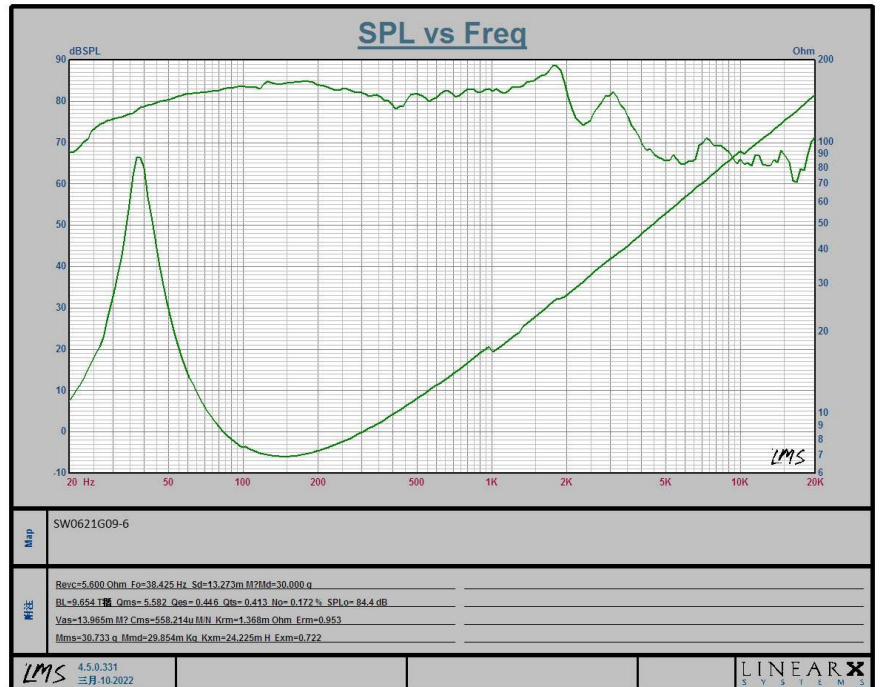
Material

Magnet	Ferrite
Basket	Aluminum
Cone	Carbon Fiber
Dust Cap	Carbon Fiber

Drawing



Impedance and frequency curve



Main Parameter

Qts	0.413	Vas	13.965mm
Qms	5.582	Qes	0.446
Mms	30.733g	Cms	0.558mm/N
Xmax	6.6mm	BL	16.554L