

Specification

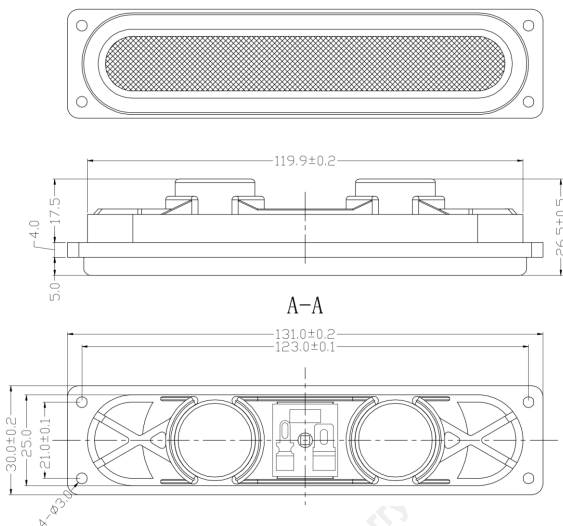


Rated Power:10W Peak Power:20W
 Impedance:8Ω ±15%
 Resonant frequency / fs:178Hz±20%
 Voice Coil diameter: 16.4mm
 Sound Pressure: 77dB/1W /1M ± 3dB at 500 to 3KHz.
 OD:131±0.2mm Thickness: 26.5±0.5mm
 Operation temperature: -20 to +60°C
 Operation: 6.32V (20Hz~5KHz 2.5Sec)
 Power Test:IEC268-5/8.94V/48hrs
 Weight:70g±10%
 Subject to technical modification

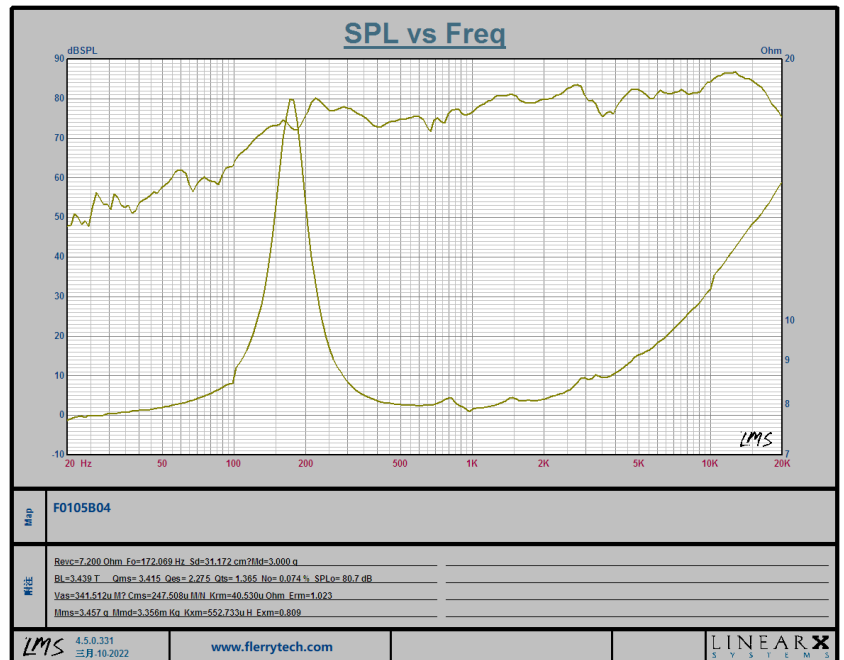
Material

Magnet	Dual Neodymium
Basket	Plastic-ABS
Cone	Glass Fiber Honeycomb Panel

Drawing



Impedance and frequency curve



Main Parameter

Qts	1.365	Vas	0.342mm
Qms	3.415	Qes	2.275
Mms	2.457g	Cms	0.247mm/N
Xmax		BL	