

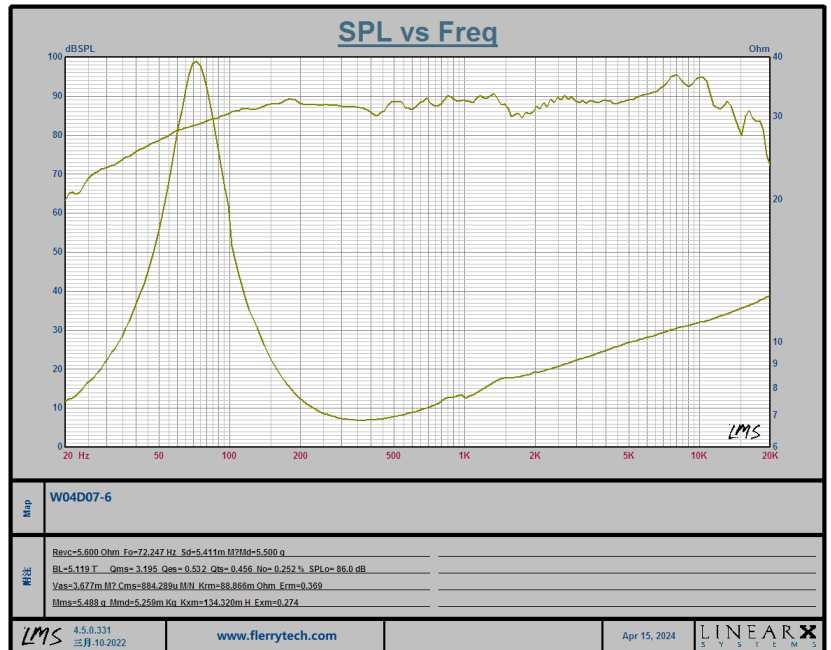
**Specification**

Rated Power:25W Peak Power:50W  
 Impedance:6Ω ±15%  
 Resonant frequency / fs:69Hz±20%  
 Voice Coil diameter: 25.5mm  
 Sound Pressure: 86dB/1W /1M ± 3dB at 500 to 3KHz.  
 OD:106.5±0.5mm Thickness: 61.5±1mm  
 Operation temperature: -20 to +60°C  
 Operation: 8.66V (20Hz~5KHz 2.5Sec)  
 Power Test:IEC268-5/12.24V/48hrs  
 Weight:930g±10%  
 Subject to technical modification

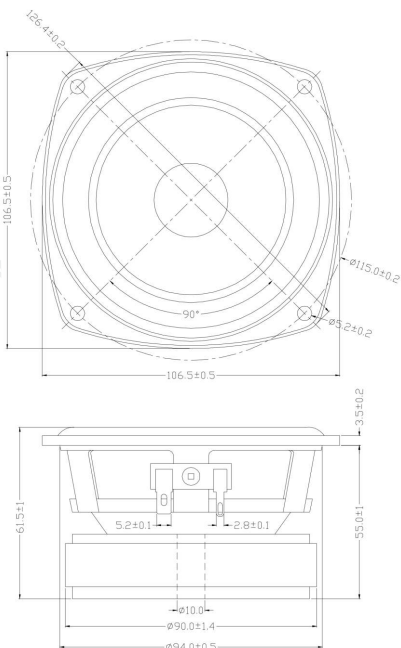
**Material**

<b>Magnet</b>	Ferrite
<b>Basket</b>	Aluminum
<b>Cone</b>	Glass Fiber
<b>Dust Cap</b>	Glass Fiber

**Impedance and frequency curve**



**Drawing**



**Main Parameter**

<b>Qts</b>	0.456	<b>Vas</b>	3.677mm
<b>Qms</b>	3.195	<b>Qes</b>	0.532
<b>Mms</b>	5.488g	<b>Cms</b>	0.884mm/N
<b>Xmax</b>	2.2mm	<b>BL</b>	5.792L